

## Custom Curved Rail Stairlift Systems

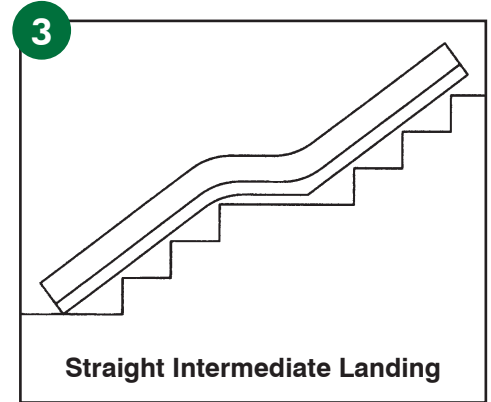
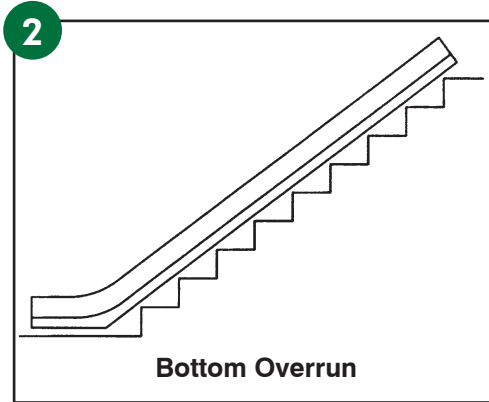
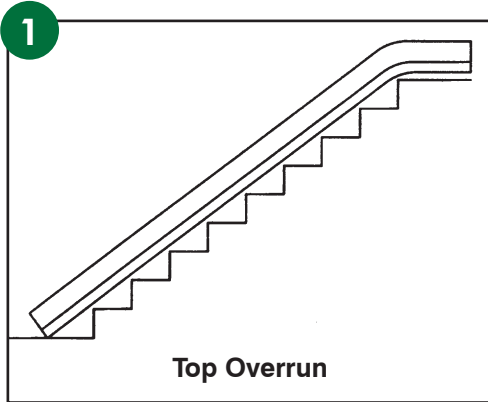
EFFECTIVE FEBRUARY 1, 2013

**RETAIL REFERENCE GUIDE**

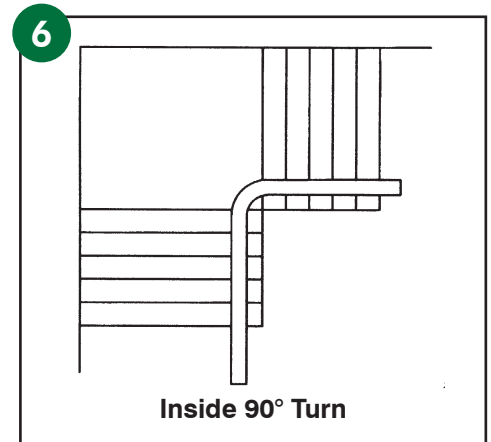
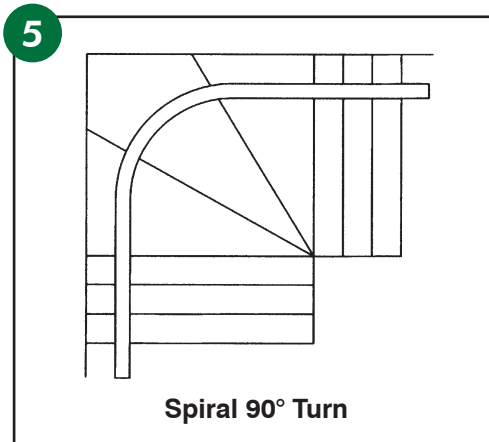
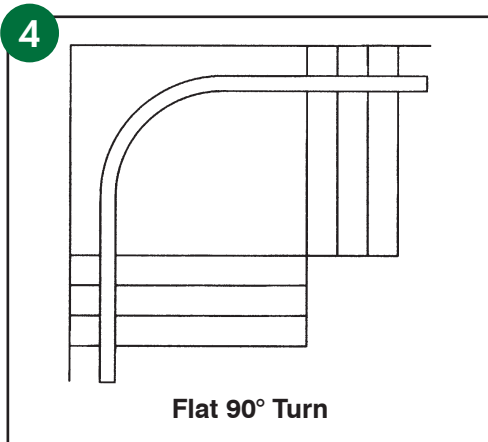


# CURVED STAIRLIFT APPLICATIONS

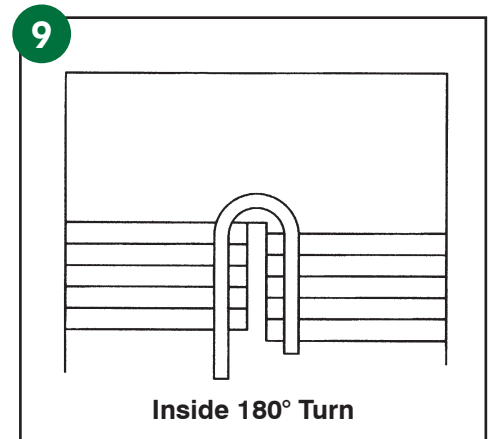
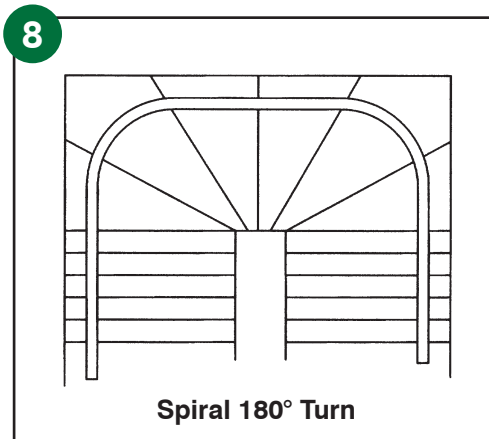
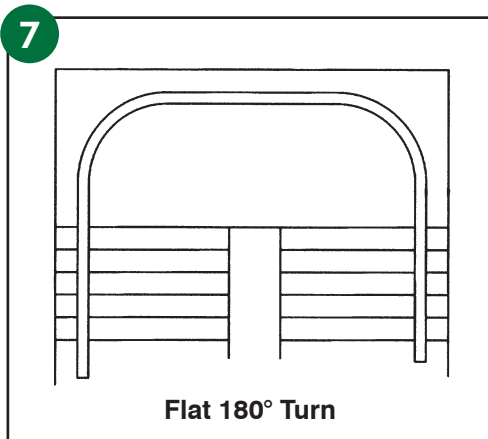
## CUSTOM STRAIGHT-RAIL



## 90° TURNS



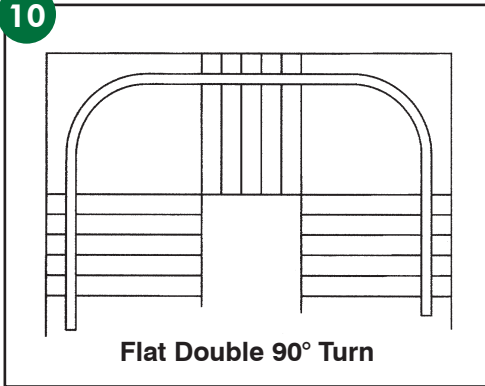
## 180° TURNS



# CURVED STAIRLIFT APPLICATIONS

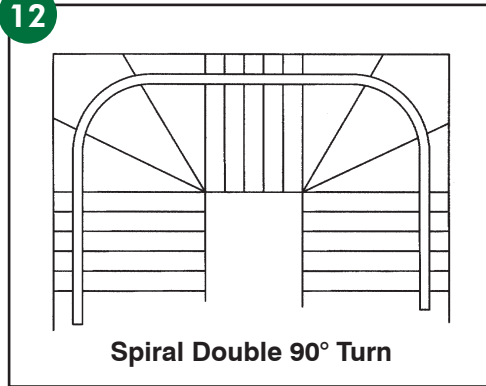
## DOUBLE 90° TURNS

10



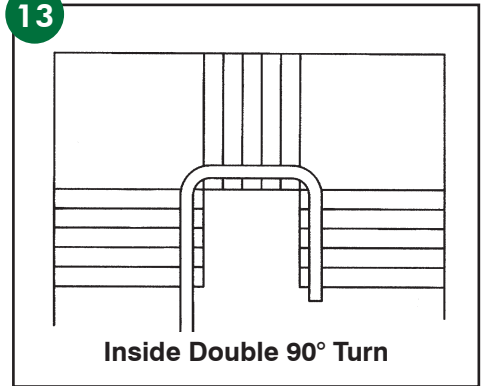
Flat Double 90° Turn

12



Spiral Double 90° Turn

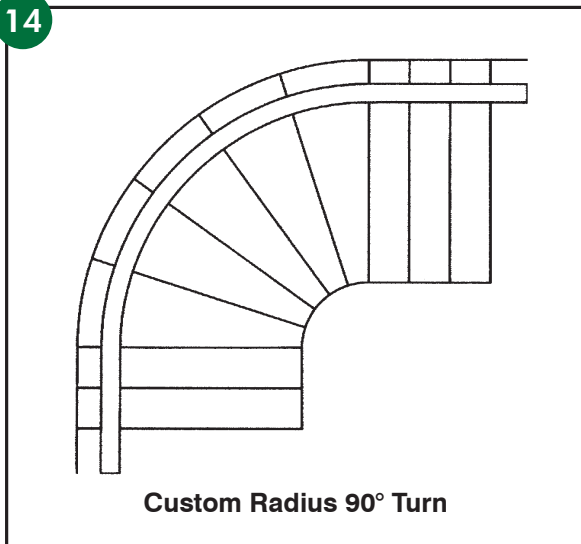
13



Inside Double 90° Turn

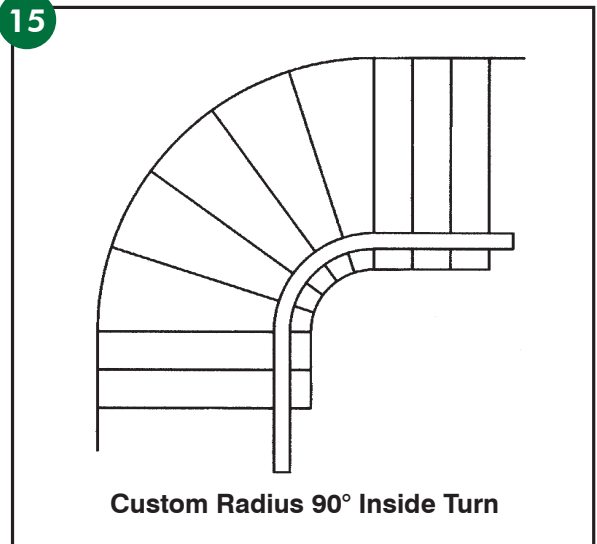
## CUSTOM RADIUS TURNS

14



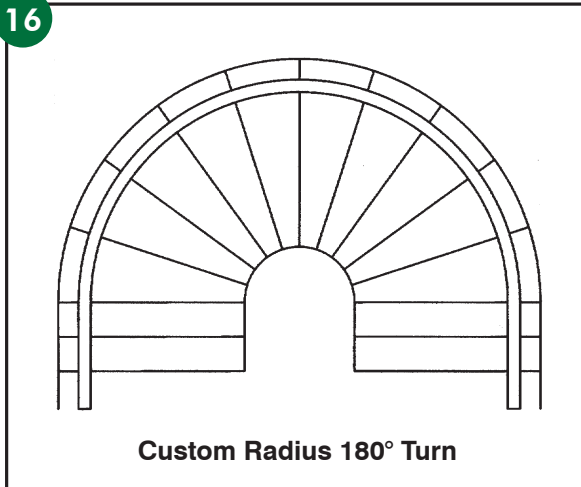
Custom Radius 90° Turn

15



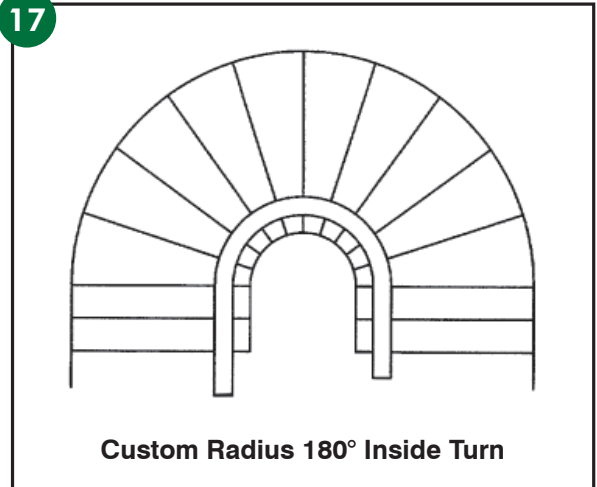
Custom Radius 90° Inside Turn

16



Custom Radius 180° Turn

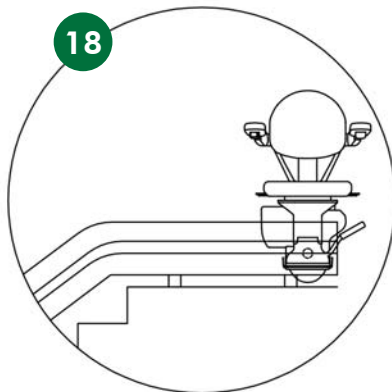
17



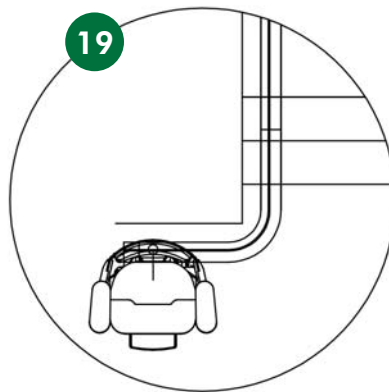
Custom Radius 180° Inside Turn

# CURVED STAIRLIFT APPLICATIONS

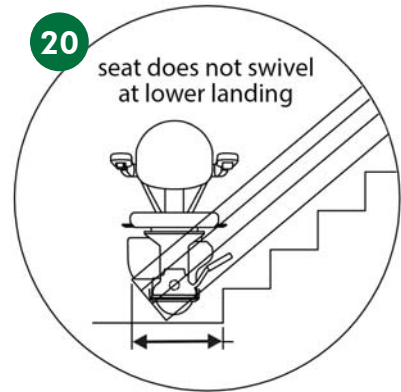
## Park Positions



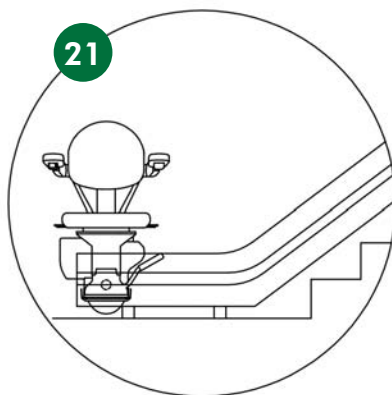
Top Overrun



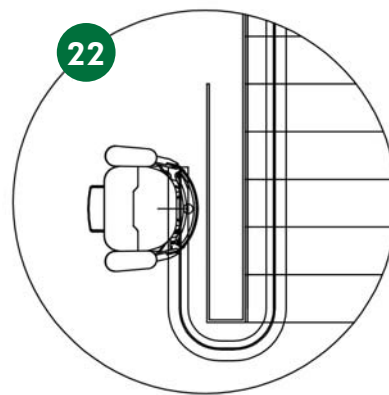
90° Park Position



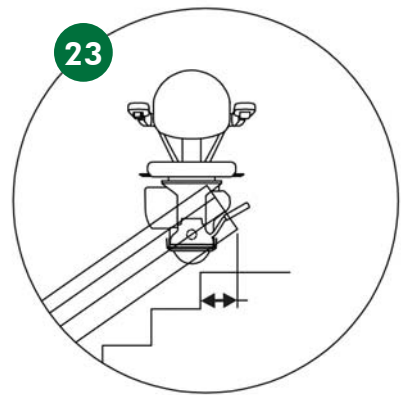
Lower Landing  
18"-20" Normal Rail Extension



Bottom Overrun



180° Park Position



Upper Landing  
6"-8" Normal Rail Extension

## Contact Us



Pacific Mobility Center  
1355 Grand Ave. Ste. 102  
San Marcos, CA 92078

(760) 471-8884

[www.pacificmobility.com](http://www.pacificmobility.com)